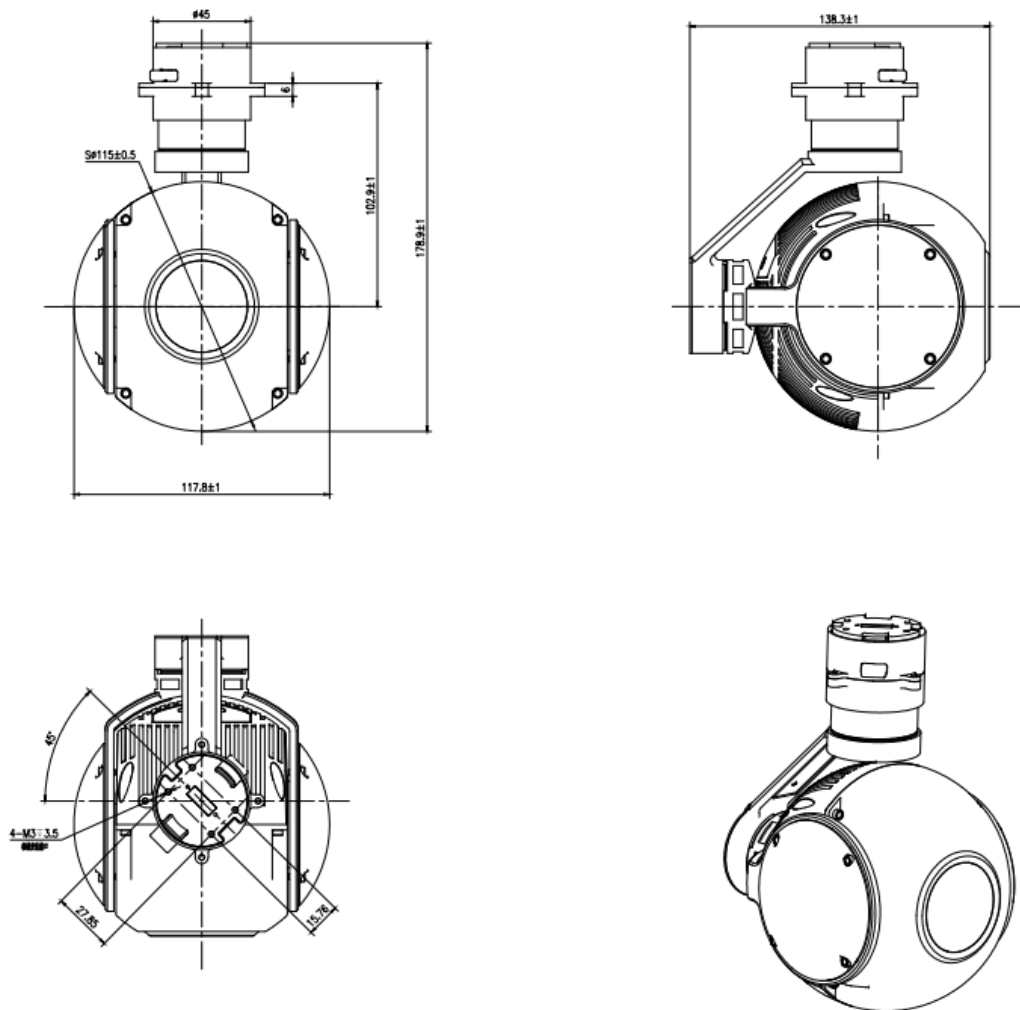


Product highlights:

- 1.Quick-disassembly structure design, easy for installation
- 2.30 x continuous optical zoom
- 3.With AI pedestrian and vehicle identification function
- 4.360 Uncycle rotation
- 5.Small volume, light weight, and low power consumption

Dimensions



Parameters

MODEL		FI-30
System specification	System type	Gyro stability
	Weight	940g
Stable system	Platform type	Tri-axis
	Azimuth	360° rotation
	pitch	-90° ~+30°
	Roll	-45° ~+45°
	Maximum search angular velocity	$\geq 100^\circ /s$
	Stability accuracy	0.1mrad(1° /2HZ)
	Angular position accuracy	$\leq 0.3^\circ$
Electro Optical (30X)	Resolution and frame rate	SONY7520 1920×1080 @60fps
	FOV	63° × 35° ~2.3° × 1.3°
	Focus	f=4.3mm~129mm
Ranging	Laser Ranging	None
Tracking module	Frame rate	60Hz
	Tracking speed	± 48 Pixel/frame
System external interface	Control	RS232、NET
	Video output	NET
Power supply	Power	12~28V
	Power consumption	$A_v \leq 15W$, $Max \leq 30W$
Environmental conditions	Operating temperature	-10°C ~+50°C
	Storage temperature	-40°C ~+60°C